



US00D816328S

(12) **United States Design Patent**
Votel et al.

(10) **Patent No.:** **US D816,328 S**

(45) **Date of Patent:** **** May 1, 2018**

- (54) **HOLSTER FOR A DRILL**
- (71) Applicant: **Tenacious Holdings, Inc.**, St. Paul, MN (US)
- (72) Inventors: **Thomas Votel**, Sunfish Lake, MN (US); **Brent Velenchenko**, St. Paul, MN (US); **Nathan Bohmbach**, Lakeville, MN (US)
- (73) Assignee: **Tenacious Holdings, Inc.**, St. Paul, MN (US)

D455,901 S * 4/2002 Snider D3/228
 6,561,402 B2 * 5/2003 Holland A45F 5/00
 224/192
 8,220,683 B2 * 7/2012 Williams A45F 3/14
 224/662
 D779,818 S * 2/2017 Kinsky D3/228
 D795,570 S * 8/2017 Lacroix D3/228

* cited by examiner

Primary Examiner — Catherine R Oliver-Garcia
(74) *Attorney, Agent, or Firm* — Skaar Ulbrich Macari, P.A.

(**) Term: **15 Years**

(57) **CLAIM**

The ornamental design for a holster for a drill, as shown and described.

(21) Appl. No.: **29/593,729**

DESCRIPTION

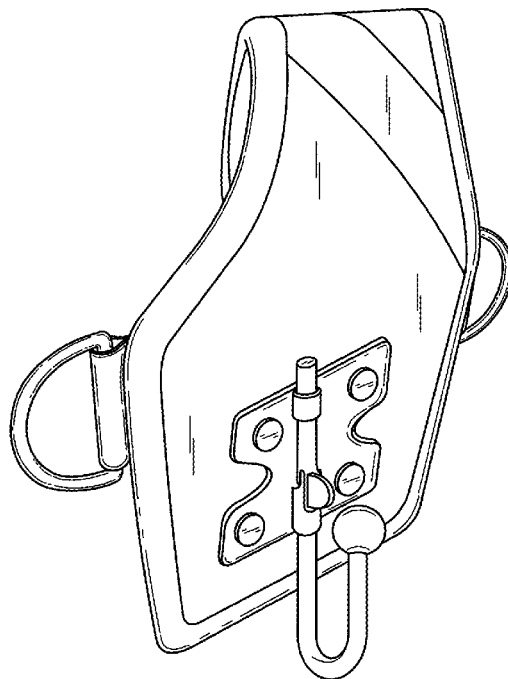
- (22) Filed: **Feb. 12, 2017**
- (51) **LOC (11) Cl.** **03-01**
- (52) **U.S. Cl.**
USPC **D3/228**
- (58) **Field of Classification Search**
USPC D3/228, 224, 226, 215, 222–223;
224/240, 236, 245, 666, 901.4, 192, 662,
224/904, 680, 684
CPC A45F 5/02; A45F 5/021; A45F 2200/0575;
A45F 2200/0566; A45F 3/14; B25H
3/006
See application file for complete search history.

FIG. 1 is a perspective view of a holster for a drill showing our new design;
 FIG. 2 is a front elevation view thereof;
 FIG. 3 is a front elevation view thereof with the belt loop extended;
 FIG. 4 is a rear elevation view thereof;
 FIG. 5 is a rear elevation view thereof with the belt loop extended;
 FIG. 6 is a left side elevation view thereof;
 FIG. 7 is a right side elevation view thereof;
 FIG. 8 is a bottom plan view thereof; and,
 FIG. 9 is a top plan view thereof.
 The broken lines in FIGS. 3, 4, 5, 6, 7 and 9 outlining a clasp, illustrate portions of a holster for a drill that form no part of the claimed invention.

(56) **References Cited**
U.S. PATENT DOCUMENTS

D437,998 S * 2/2001 Williamson D3/228
 D448,556 S * 10/2001 Snider D3/228

1 Claim, 9 Drawing Sheets



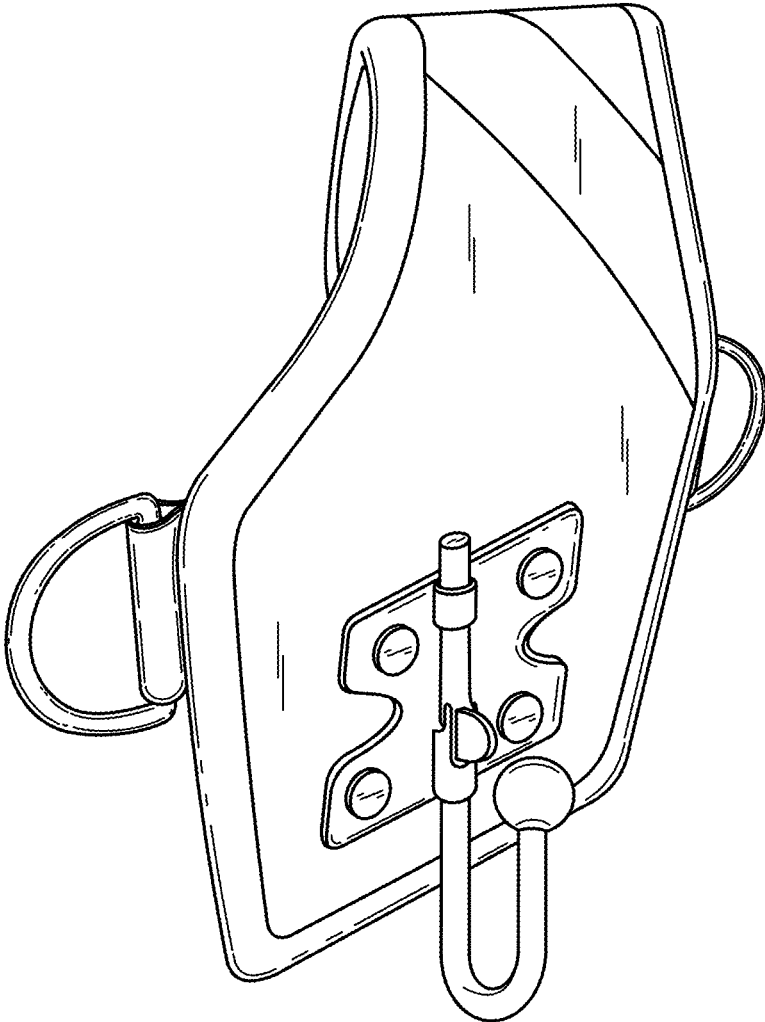


FIG. 1

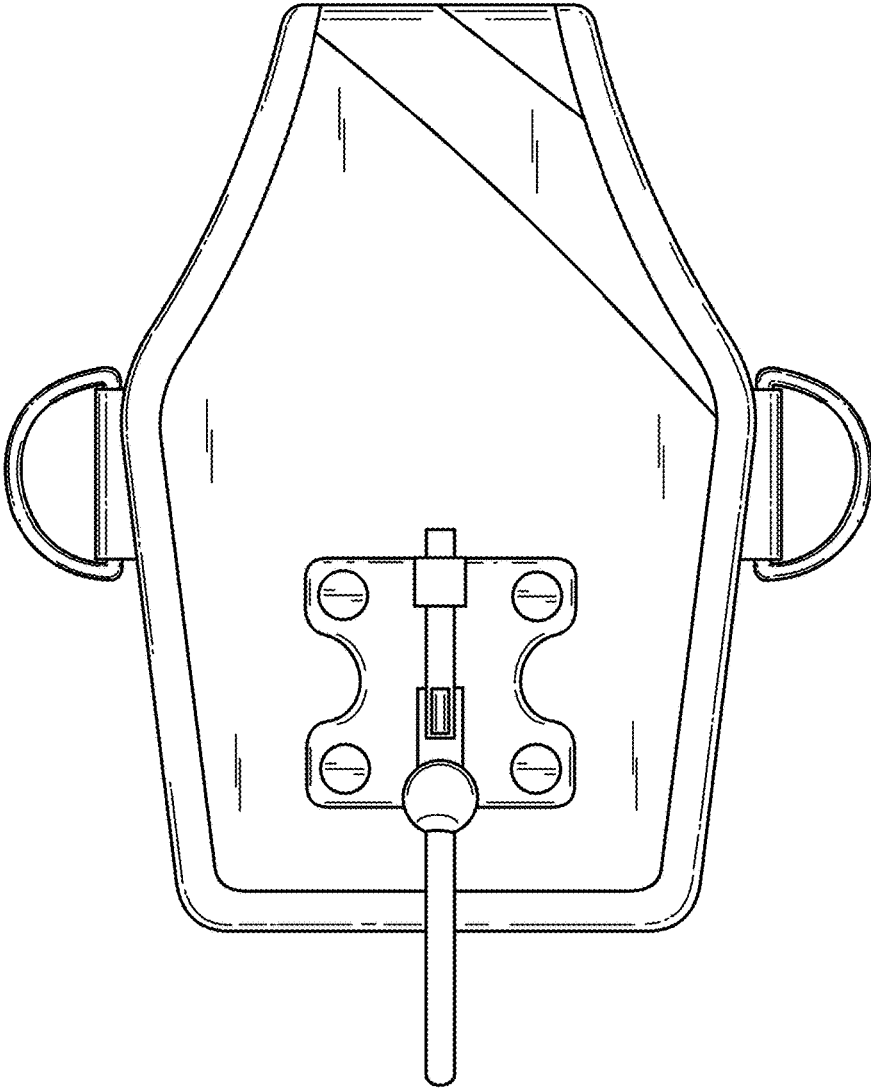


FIG. 2

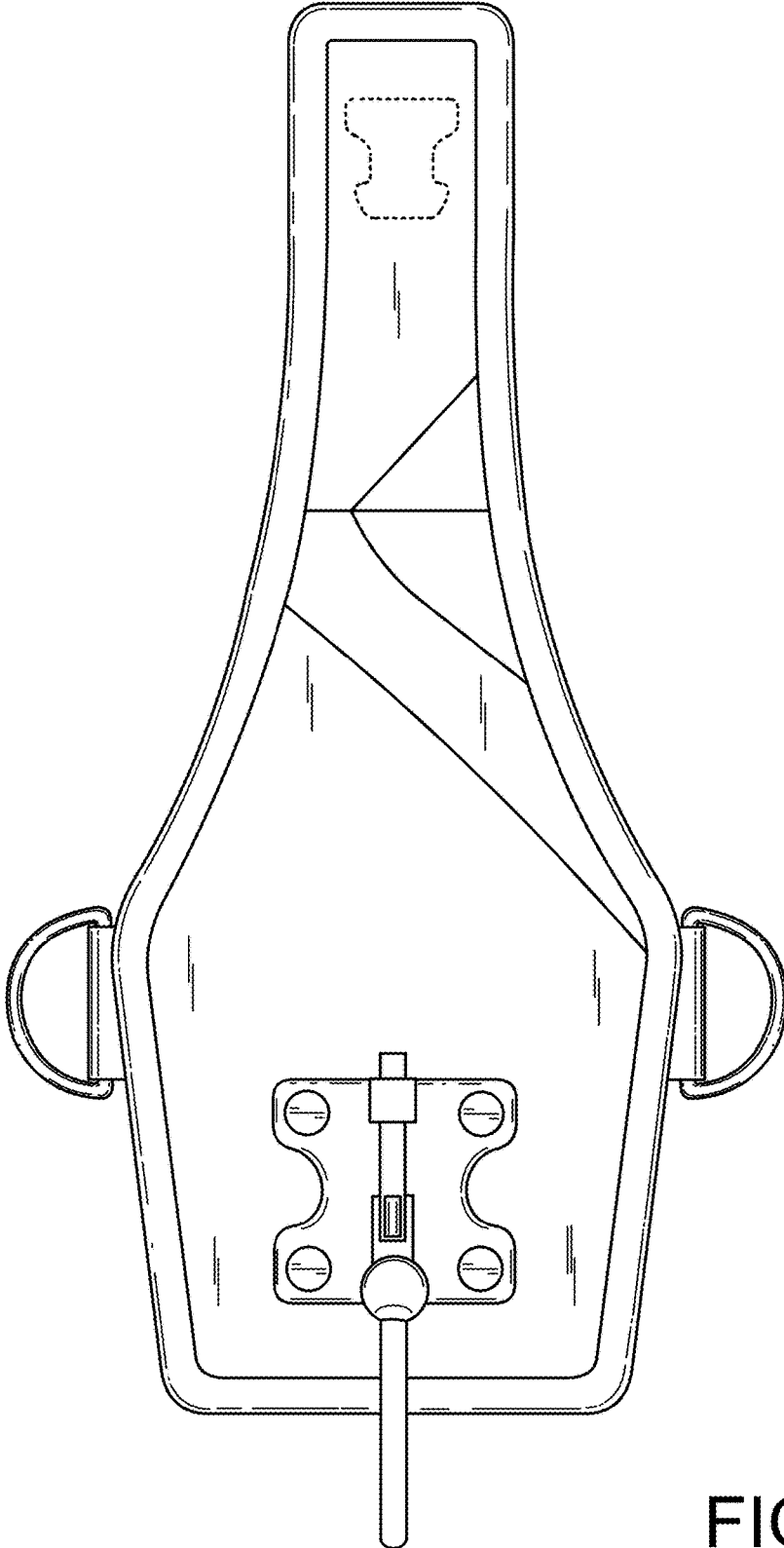


FIG. 3

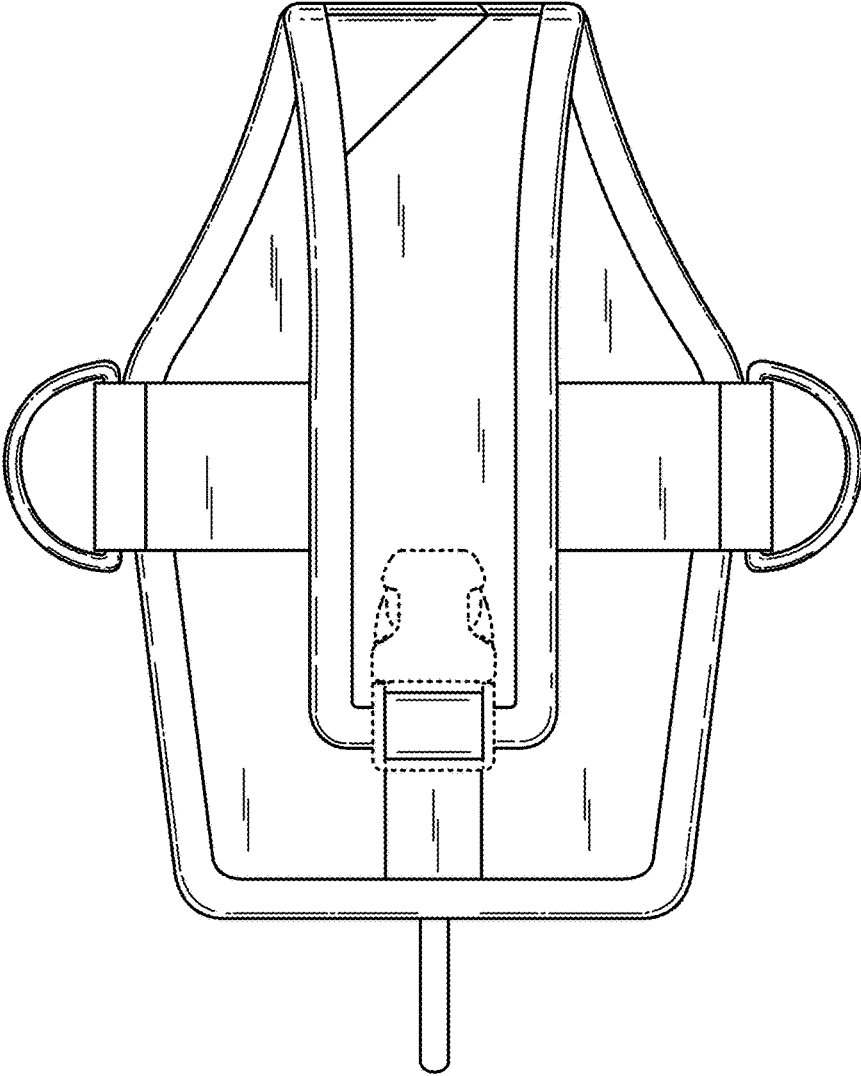


FIG. 4

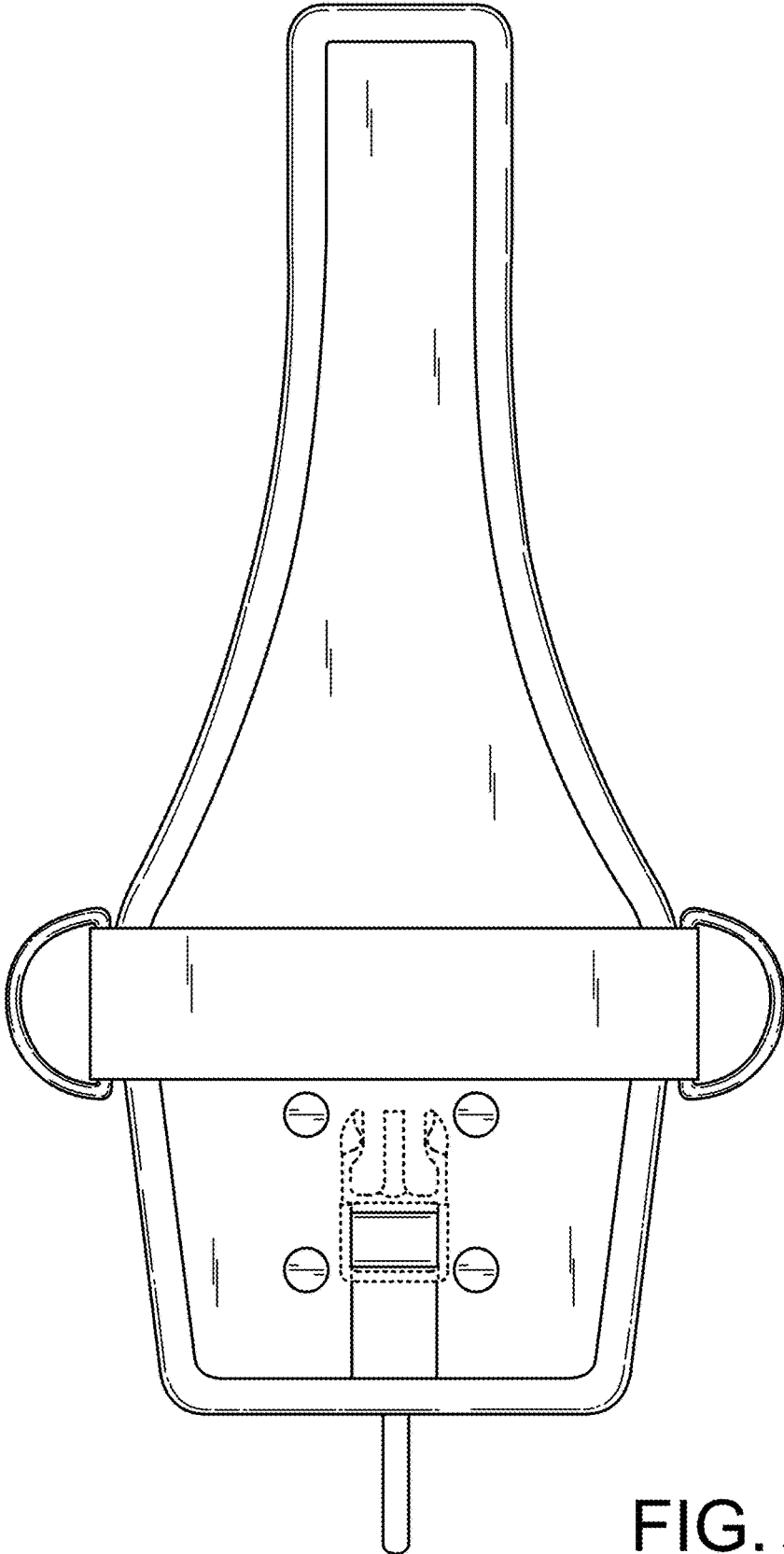


FIG. 5

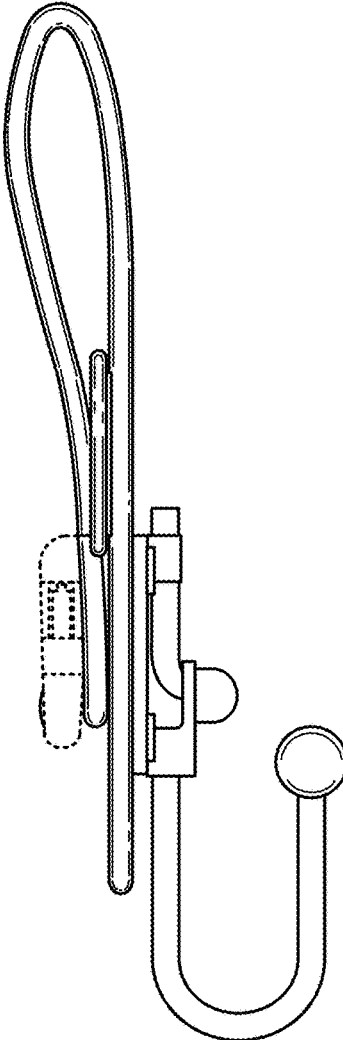


FIG. 6

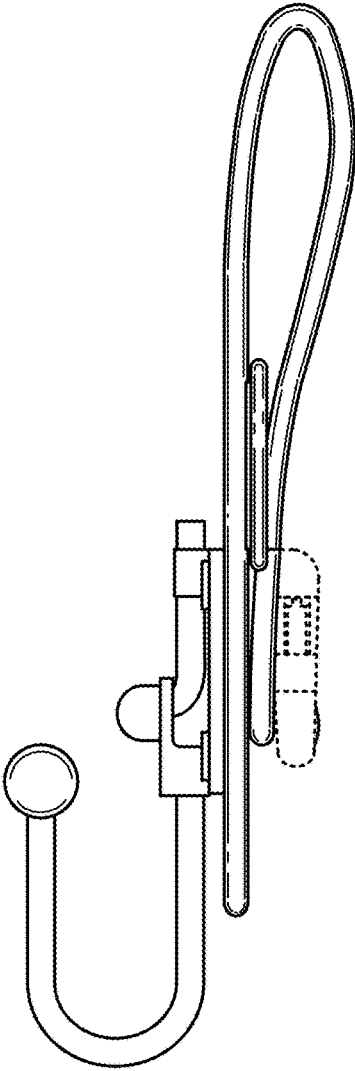


FIG. 7

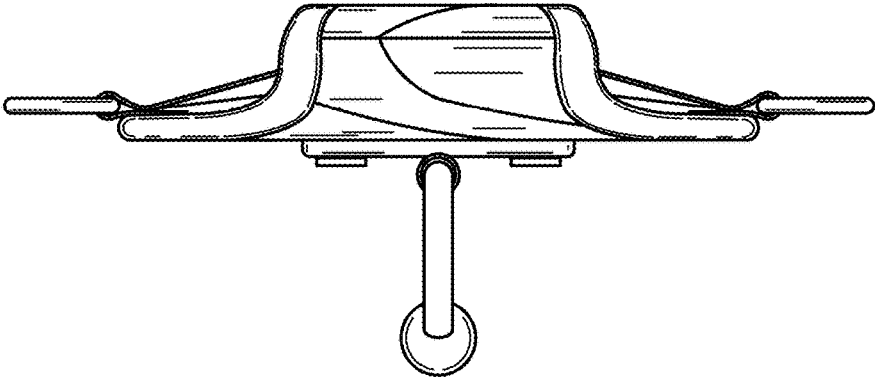


FIG. 8

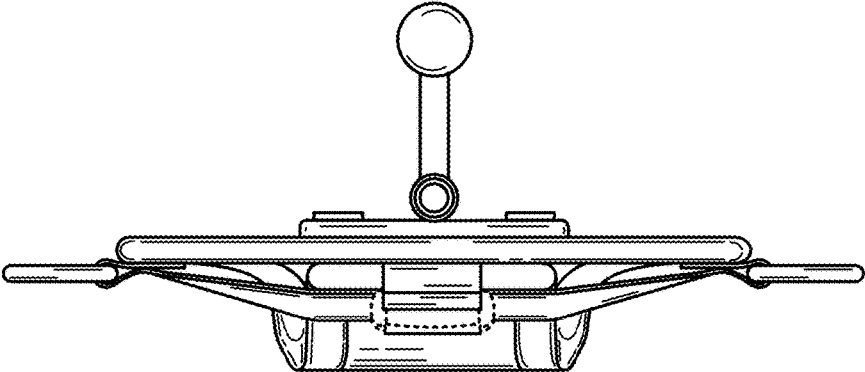


FIG. 9