



US00D815791S

(12) **United States Design Patent**
Votel et al.

(10) **Patent No.:** **US D815,791 S**
(45) **Date of Patent:** **** Apr. 24, 2018**

(54) **GLOVE**

(71) Applicant: **Tenacious Holdings, Inc.**, St. Paul, MN (US)

(72) Inventors: **Thomas Votel**, Sunfish Lake, MN (US);
Andrew Olson, Minneapolis, MN (US);
Dominique Aris, Louisville, CO (US)

(73) Assignee: **Tenacious Holdings, Inc.**, St. Paul, MN (US)

(**) Term: **15 Years**

(21) Appl. No.: **29/578,072**

(22) Filed: **Sep. 19, 2016**

(51) **LOC (11) Cl.** **02-06**

(52) **U.S. Cl.**
USPC **D2/622**

(58) **Field of Classification Search**
USPC D29/100, 113, 115, 116.1, 116.2, 116.3,
D29/117.1, 117.2, 118, 120.1;
D2/617-622
CPC A41D 19/01; A41D 19/00
See application file for complete search history.

(56) **References Cited**

U.S. PATENT DOCUMENTS

133,319	A	11/1872	Kehoe	
699,137	A *	5/1902	Bertheau	A41D 19/01 2/158
922,237	A	5/1909	Baggett	
1,254,578	A *	1/1918	Carson	A41D 19/01 2/158
1,633,300	A *	6/1927	Wetzstein	
1,849,418	A *	3/1932	Chesebro	A41D 19/0017 2/158
2,274,335	A *	2/1942	Kennedy	A41D 19/01 2/158
2,283,561	A *	5/1942	Lindfelt	A41D 19/01 2/158

(Continued)

OTHER PUBLICATIONS

Fleece Mitts Fingerless Gloves, posted at plowhearth.com, posting date not given, [online], [site visited Nov. 22, 2017]. Available from Internet, URL: <http://www.plowhearth.com/pair-of-fleece-multi-mitts-fingerless-gloves-with-thumb-and-finger-hoods.htm>.*

(Continued)

Primary Examiner — George D. Kirschbaum

Assistant Examiner — Maria J Edwards

(74) *Attorney, Agent, or Firm* — Skaar Ulbrich Macari, P.A.

(57) **CLAIM**

The ornamental design for a glove, as shown and described.

DESCRIPTION

FIG. 1 is a front elevation view of a glove showing our new design;

FIG. 2 is a rear elevation view thereof;

FIG. 3 is a right side elevation view thereof;

FIG. 4 is a left side elevation view thereof;

FIG. 5 is a top plan view thereof

FIG. 6 is a bottom plan view thereof;

FIG. 7 is a front elevation view thereof with fingers exposed;

FIG. 8 is a rear elevation view thereof with fingers exposed;

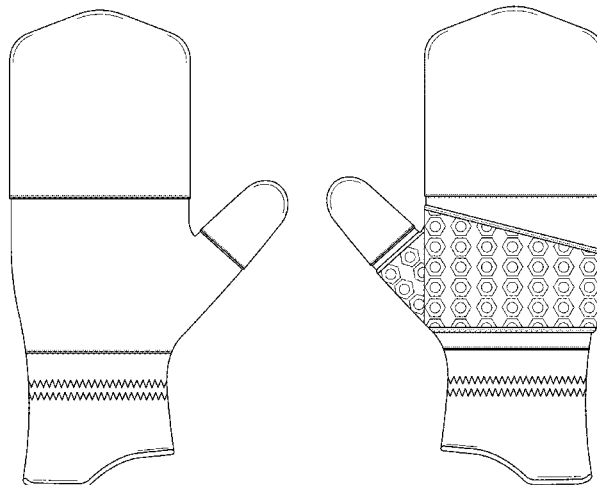
FIG. 9 is a right side elevation view thereof with fingers exposed;

FIG. 10 is a left side elevation view thereof with fingers exposed; and,

FIG. 11 is a top perspective view thereof with fingers exposed.

The broken lines illustrate portions of the design and form no part of the claimed design.

1 Claim, 10 Drawing Sheets



(56)

References Cited

U.S. PATENT DOCUMENTS

2,378,773 A * 6/1945 Hurt A41D 19/0055
2/158
D188,035 S * 5/1960 MacKay
3,147,493 A * 9/1964 Winson A41D 19/0055
2/158
3,178,725 A * 4/1965 Ross A41D 19/0068
2/162
3,299,441 A * 1/1967 Slimovitz
3,849,182 A 11/1974 Hagenbach
3,852,972 A 12/1974 Holberg
D235,589 S 7/1975 Birnie
3,918,096 A 11/1975 Lim
4,570,269 A 2/1986 Berlese
D287,904 S 1/1987 Pierce, Jr.
4,697,724 A 10/1987 Pitcher
4,747,163 A 5/1988 Dzierson
4,768,234 A 9/1988 Yamamoto
D299,564 S 1/1989 Pierce, Jr.
4,933,992 A * 6/1990 Kallman A41D 19/00
2/158
D328,369 S 7/1992 Hong
D355,750 S 2/1995 Fouillard
5,647,783 A 7/1997 Nessel
D389,607 S 1/1998 Arshed
D445,996 S 8/2001 Kiernan
D462,485 S 9/2002 Fowler
D516,277 S 3/2006 Mattesky
7,574,748 B2 8/2009 Fisher et al.
D599,960 S 9/2009 Ash et al.
D608,978 S 2/2010 Votel
D610,776 S * 3/2010 Walker
D619,305 S 7/2010 Fitzgerald et al.
7,797,758 B2 9/2010 Keppler et al.
D638,994 S 5/2011 Fream et al.
D643,592 S 8/2011 Choi et al.
D650,532 S 12/2011 Choi
D652,993 S 1/2012 Long, III
D656,685 S 3/2012 Best et al.
D667,171 S 9/2012 Safford
8,490,217 B2 7/2013 Safford
D696,467 S 12/2013 Nelson
D700,403 S 2/2014 Gellis
D717,498 S 11/2014 Leach
D722,208 S 2/2015 Votel et al.
D733,364 S 6/2015 Choi et al.
D735,969 S 8/2015 Burchfield et al.
D736,491 S * 8/2015 McDonald D2/622

D746,020 S * 12/2015 Puma D2/622
D748,343 S 1/2016 Wyatt et al.
D750,845 S 3/2016 Kawano et al.
D752,296 S 3/2016 Urbelis
D756,039 S 5/2016 Jaeger
D779,782 S * 2/2017 Votel D2/619
2004/0064870 A1* 4/2004 Gold A41D 19/0017
2/158
2006/0212990 A1 9/2006 Mattesky
2007/0226873 A1 10/2007 Mattesky
2008/0109935 A1 5/2008 Deblasis
2008/0263747 A1 10/2008 Deblasis et al.
2010/0071114 A1 3/2010 Jaeger
2010/0083420 A1 4/2010 Bouckaert
2011/0088139 A1 4/2011 Travell
2012/0054937 A1 3/2012 Robaire et al.
2012/0076985 A1 3/2012 Dassler
2012/0131725 A1 5/2012 Copeland et al.
2014/0026282 A1 1/2014 Rusakov et al.
2014/0033392 A1 2/2014 Bulan et al.
2014/0075639 A1 3/2014 Albertyn
2014/0201880 A1 7/2014 Binge et al.
2015/0106990 A1 4/2015 Gait et al.
2015/0119200 A1 4/2015 Jones
2015/0181955 A1 7/2015 Hughes et al.

OTHER PUBLICATIONS

Gore Urban Run Convertible Windstopper Gloves, posted at runblogger.com, posting date Mar. 23, 2015, [online], [site visited Nov. 22, 2017]. Available from Internet, URL: <https://runblogger.com/2015/03/review-gore-urban-run-convertible-windstopper-gloves.html>.*
Manzella Cascade Convertible Gloves, posted at amazon.com, posting date not given, [online], [site visited Nov. 22, 2017]. Available from Internet, URL: <https://www.amazon.com/Manzella-Mens-Cascade-Convertible-Gloves/dp/B005FE7L26>.*
ProFlex 816 Thermal Fingerless Work Gloves, posted at amazon.com, posting date Nov. 21, 2016, [online], [site visited Nov. 22, 2017]. Available from Internet, URL: <https://www.amazon.com/ProFlex-816-Thermal-Fingerless-Gloves/dp/B001QUP6WA/>.*
Trail Heads Convertible Mittens, posted at amazon.com, posting date not given, [online], [site visited Nov. 22, 2017]. Available from Internet, URL: <https://www.amazon.com/TrailHeads-Womens-Stretch-Convertible-Mittens/dp/B00INUD1N2>.*

* cited by examiner

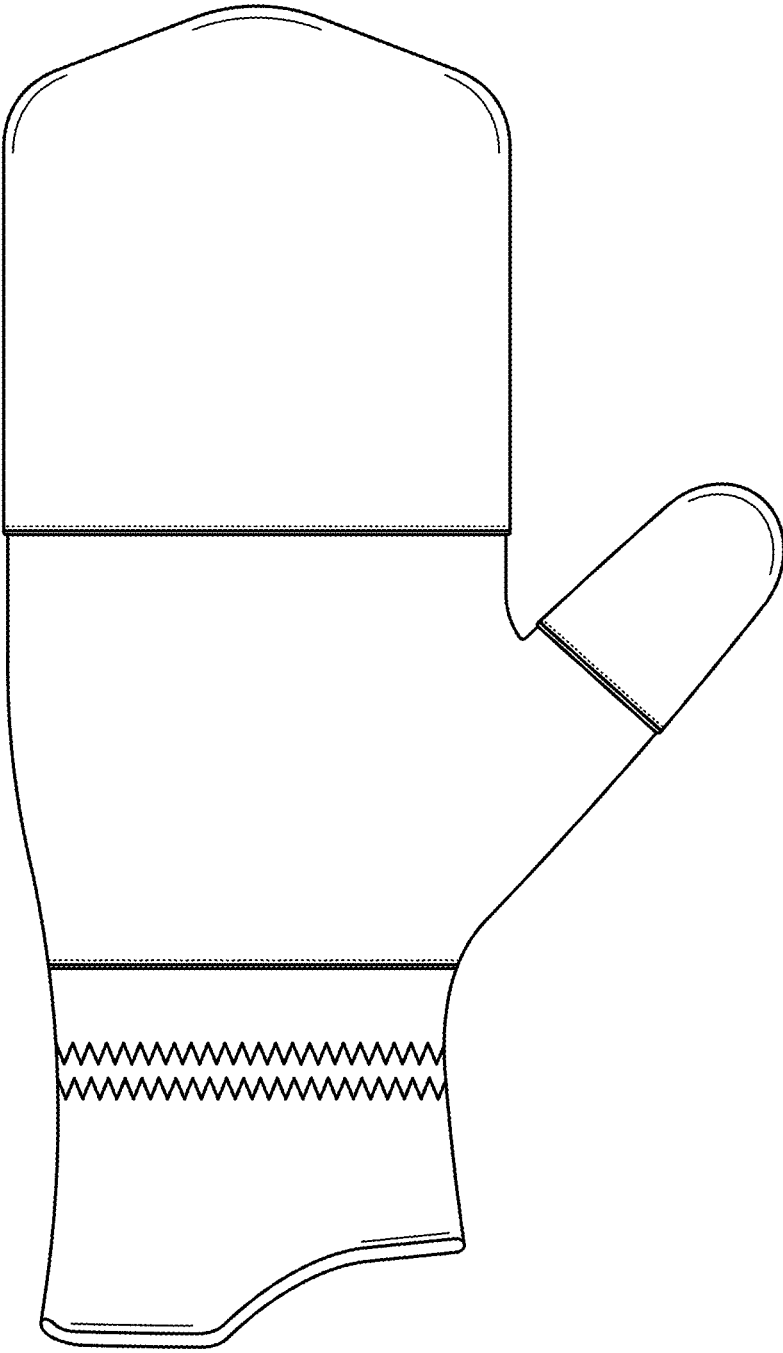


FIG. 1

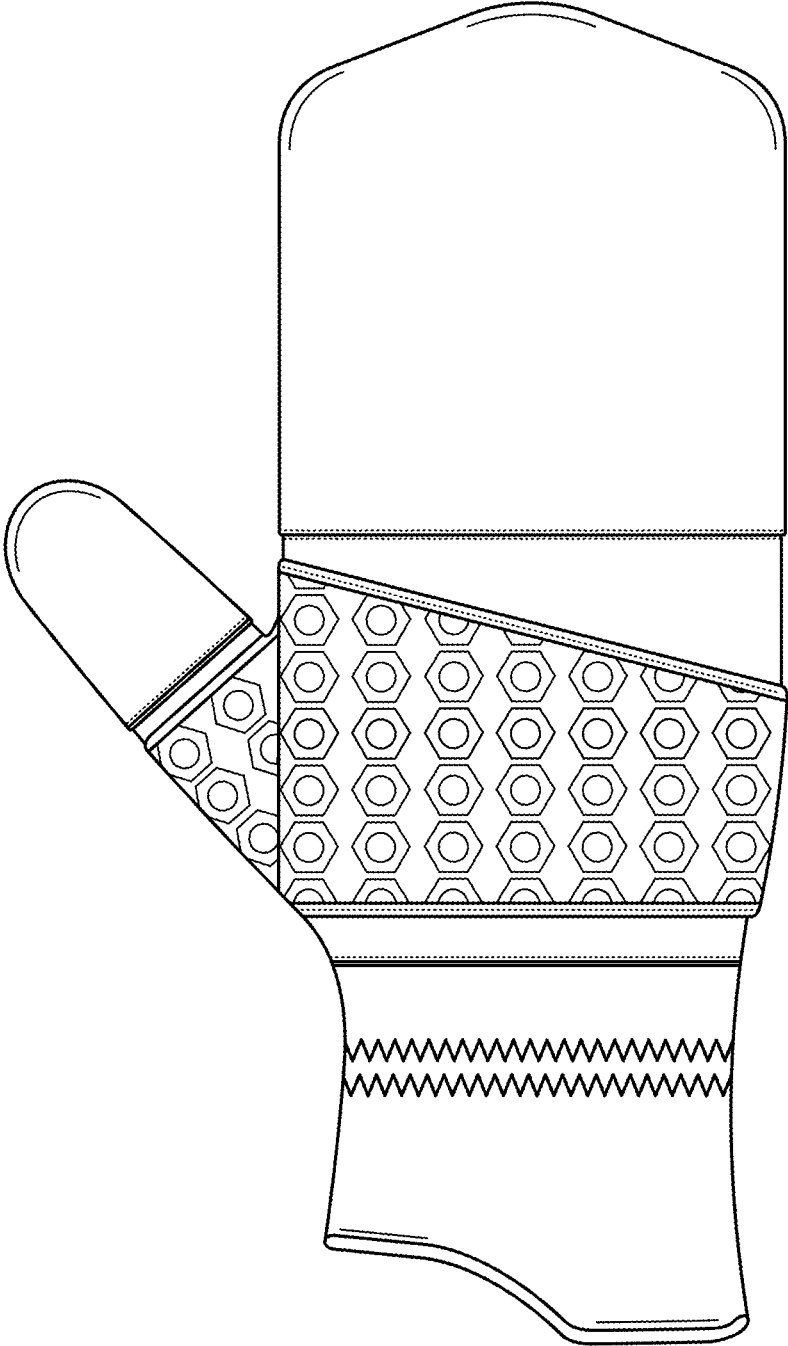


FIG. 2

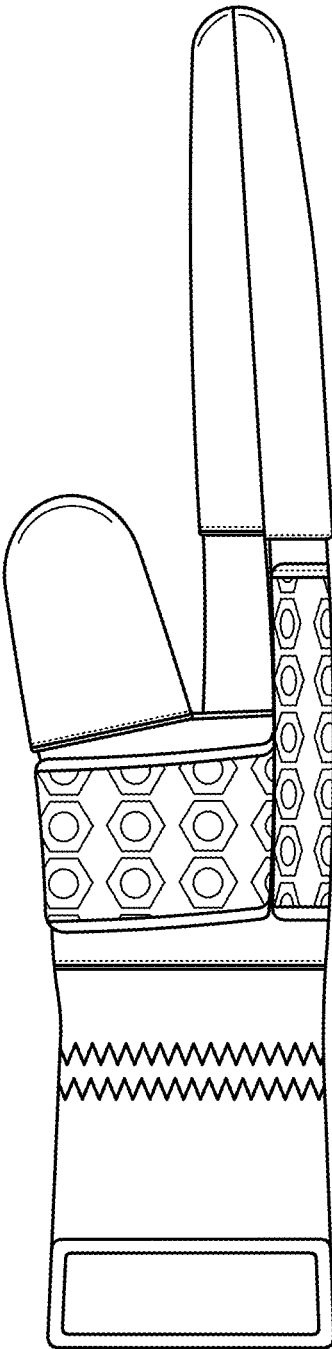


FIG. 3

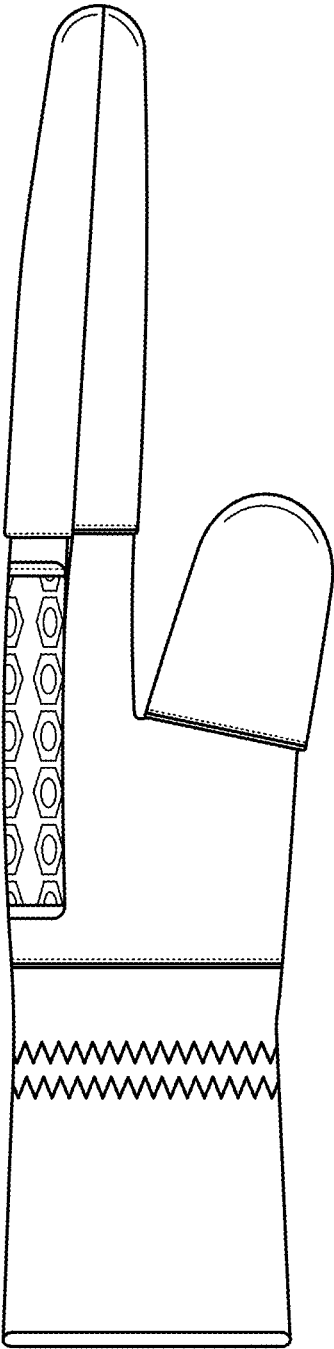


FIG. 4

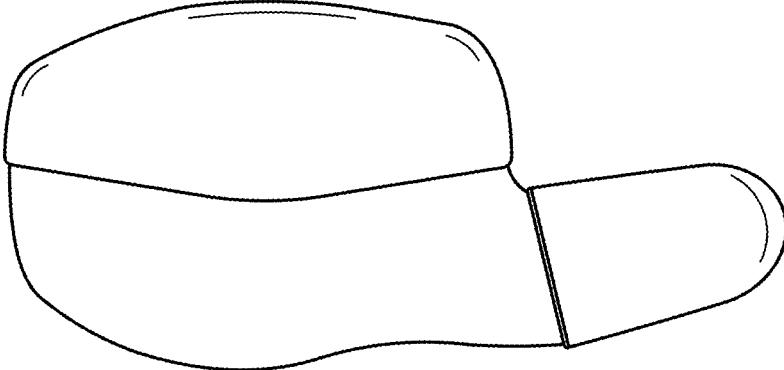


FIG. 5

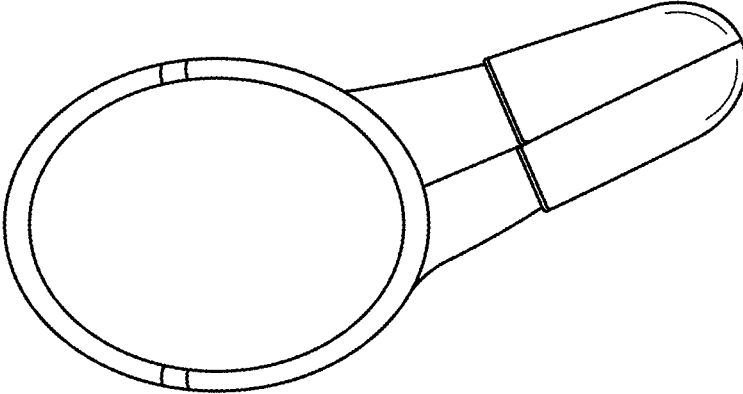


FIG. 6

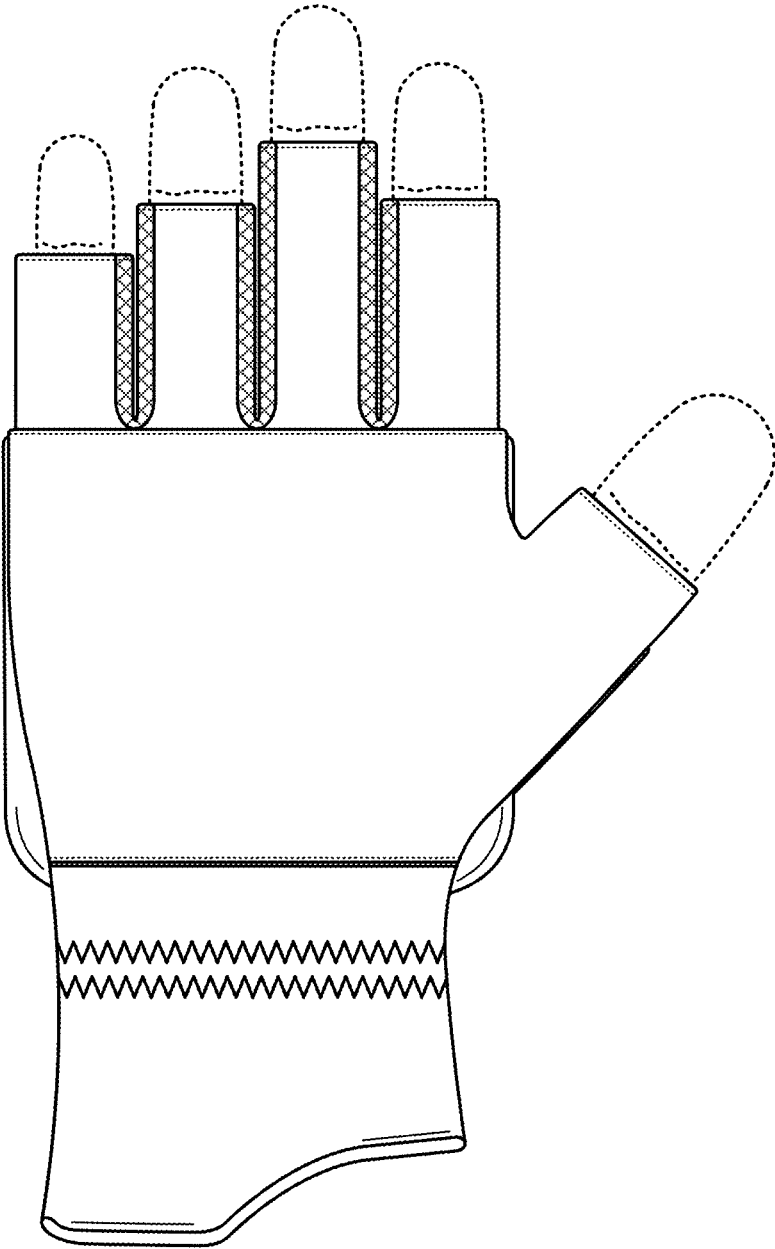


FIG. 7

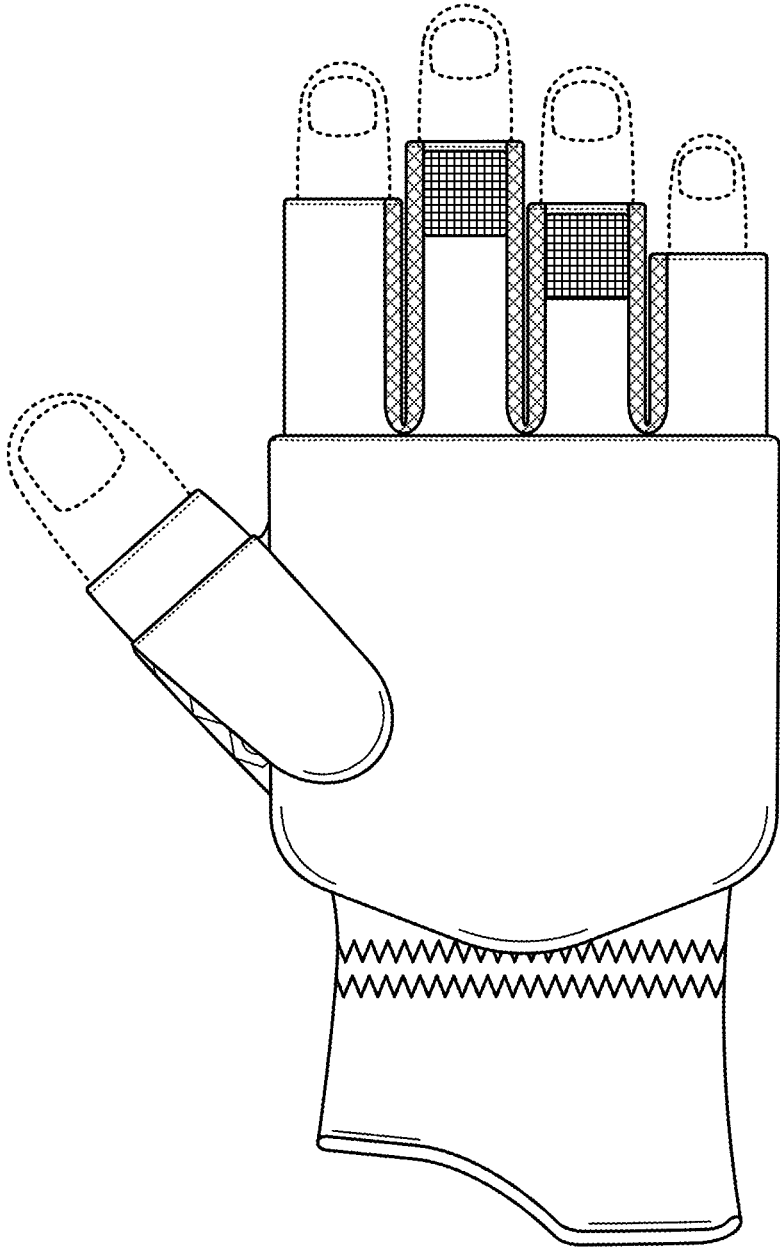


FIG. 8

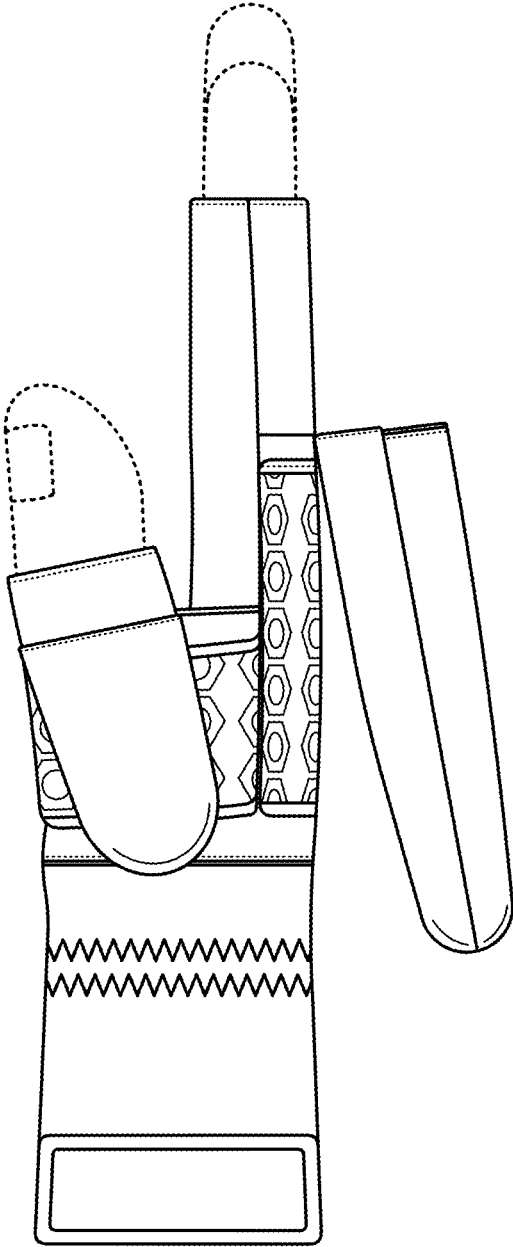


FIG. 9

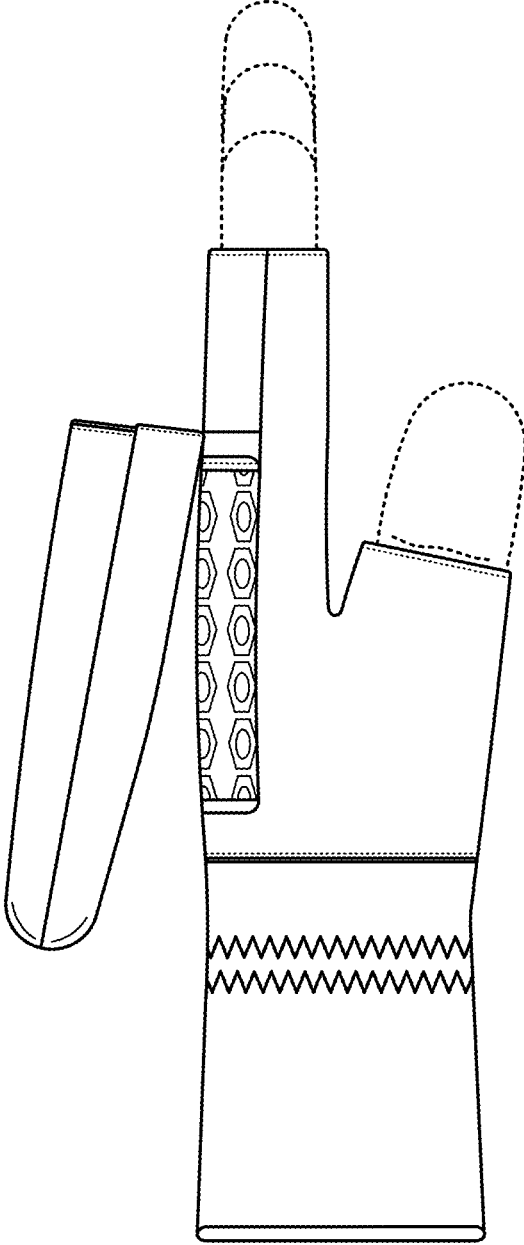


FIG. 10

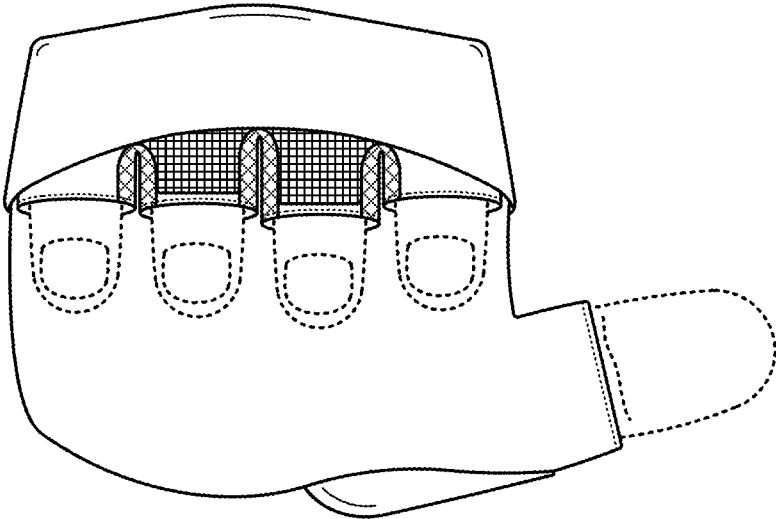


FIG. 11